

INSTRUCTION MANUAL

CHIAPPA
firearms

CHIAPPA LA322



NASGW

USA
Shooting



OFFICIAL SPONSOR

ATTENTION: BEFORE REMOVING
THIS FIREARM FROM ITS PACKAGE
READ & UNDERSTAND WARNINGS,
INSTRUCTIONS AND PRECAUTIONS
IN THIS USER'S MANUAL

INDEX

WARNINGS	3
SAFETY RULES	4
MODEL RANGE	5
IDENTIFYING MARKINGS.....	5
LEVER ACTION MAIN PARTS NOMENCLATURE.....	6
AMMUNITION	7
SAFETY FEATURES	8
INSTRUCTIONS FOR USE	8
LOADING	9
REAR SIGHT ADJUSTMENT	10
TAKE DOWN DISASSEMBLY.....	11
TAKE DOWN RE-ASSEMBLY.....	12
ORDINARY & EXTRAORDINARY MAINTENANCE	12
TROUBLESHOOTING TIPS	13
EXPLODED VIEW MODEL LA322	14
PARTS LIST MODEL LA322	15
WARRANTY CONDITIONS.....	16

WARNINGS

The manufacturer is not responsible for damage to objects caused by misuse of the gun or for injuries to persons or animals, or in case of death, caused voluntarily or involuntarily by the gun user.

The manufacturer is not responsible for injuries caused by poor maintenance, misuse of the gun, unauthorized or improper modifications.

The manufacturer declines responsibility for the indirect consequences of any injuries and / or death of persons or animals, damage to objects caused by use of the gun or by primer explosion, by bullet's ricochet, or unsafe loading practices and / or procedure.

Read the entire manual and learn the proper use of the gun without live ammunition. It is important that you understand the proper use of this product.

The life of the people close to you may depend on your safe behaviour.

If the manual is not clear, please contact the dealer where you bought the gun or call the distributor or the manufacturer by using the contact information provided within this manual.

The manufacturer declines any responsibility for misuse of the firearm. In case of alteration of the firearm, The manufacturer declines any civil and penal responsibility and will not refund any damage.

QUALITY INSPECTION: Every firearm is thoroughly inspected by the manufacturer, for function and cosmetic blemish, prior to shipment.

To guarantee the gun is safe, all guns produced in the Italian facility are sent to the National Proof House of Gardone Val Trompia – BRESCIA – ITALY for proof testing, in compliance with Italian law. The Proof House tests the firearm with heavy loads then checks the barrel, chamber and headspace to make certain the firearm is safe for use with standard factory ammunition. The National Proof House will put their markings on the gun, certifying the gun is qualified and can be sold.

Guns produced in our US facility are scrupulously tested in our premises.

Warning!

Discharging firearms in poorly ventilated areas, cleaning firearms, or handling ammunition may result in exposure to lead or other substances known to the State of California to cause birth defects, reproductive harm, and other serious physical injury. Have adequate ventilation at all times. Wash hands thoroughly after exposure.

ANY LEGAL DISPUTE WILL BE UNDER THE JURISDICTION OF A COURT IN THE STATE OF OHIO – USA, OR IN THE COURT OF BRESCIA – ITALY, AT OUR DISCRETION.

SAFETY RULES

1. Read the instructions carefully before use. Reading the manual and careful examination of the gun are fundamental to avoid any kind of problem.
2. Be aware that you are handling a firearm; therefore your knowledge and behaviour may affect your life and those of the people close to you.
3. Guns and ammunitions must be kept in separate places.
4. ALWAYS keep guns and ammunitions out of reach of children.
5. Store the gun in a clean, dry and airy place after use to avoid rust in mechanical parts that may cause serious problems in functioning after a period of inactivity.
6. The gun must ALWAYS be stored unloaded, ALWAYS check that the chamber is empty.
7. Keep away from open flame or heating sources.
8. Never leave a loaded gun unattended.
9. Never leave the weapon loaded, it could fall and cause injury and death. Always point the gun in a safe direction, and handle it as though it were loaded. This is especially important when loading and unloading the gun, and when handing it to someone else. Never take someone's word that it is unloaded. Always make sure the gun is unloaded before laying it down or handing it to someone else.
10. After use, clean and lubricate the inside of the barrel with appropriate oil. Grease or oil build up can cause excessive pressure and result in serious personal injuries. Before using the gun again, inspect the barrel and chamber to make certain that there are no obstructions in the bore. Remove any oil residue with rod and dry patch before shooting.
11. Accumulation of rust in the barrel can cause excessive pressures resulting in serious injury and may cause the explosion of the barrel. A rusted, pitted or eroded barrel should be replaced.
12. Before shooting ALWAYS check to ensure that the barrel is free of obstructions.
13. Never force a jammed action, this act could cause explosion of the round and consequent injury.
14. Use exclusively factory loaded ammunition of the caliber specified on the firearm barrel. Use of different calibers may cause serious personal injuries to you and to people close to you.
15. In case of misfire, manually extract the cartridge from the chamber. If firearm fails to fire when trigger is pulled, as a result of slow primer ignition (hangfire), keep muzzle pointed downrange for a minimum of 30 seconds. If the round does not fire, remove the magazine, clear the weapon and examine the ejected, unfired cartridge. If the indent from the firing pin is off center, light or absent, take the gun to a competent gunsmith. If the indent appears normal compared to other rounds, assume a faulty round, separate from other cartridges, reload and continue shooting.
16. Do not attempt to re-use unexploded ammunitions.
17. NEVER modify any parts of your gun. Any alteration may cause serious personal injury and voids the warranty.
18. Only a qualified gunsmith may service the gun for repair or serious maintenance.
19. Pay great attention during transportation and use. Mechanical safety devices can fail. Developing intelligent, good safety habits is the best way to prevent accidents.
20. Never rest your finger on the trigger until the very moment you wish to shoot. Always keep the safety on until you are ready to safely shoot at an intended target (see safety features).
Note: Safety devices on guns are extras and are not a substitute for your proper and safe handling practices.
21. ALWAYS keep the gun unloaded when transporting it from home to the shooting areas. Carefully check that cartridge chamber is empty.
22. When you walk around with the gun in a shooting area, ALWAYS keep the muzzle pointed in a safe direction.
23. NEVER run with a loaded gun, don't cross any obstacle (fences or water courses, etc.) or walk where there is any possibility of slipping or falling without having your firearm unloaded and in safety position.
24. When selecting a place to shoot, always be absolutely sure of your target and the area behind it before you touch the trigger, making sure there is an adequate backstop which

will stop and contain bullets. A bullet can travel through or past your target with a range up to 1 1/2 miles. If you have any doubt, do not shoot.

25. Never shoot against a solid surface or in a pool of water, the projectiles could ricochet and shoot toward any direction. Don't shoot up into the sky.
26. Keep all bystanders behind you, standing beside a shooter is not a safe position. Make sure all other shooters and bystanders are well away from the ejection port.
27. Do not smoke while handling, loading or shooting any ammunition, especially black powder. Keep black powder in a closed container at all times, reclosing the container after each and every use.
28. Never drink alcoholic beverages or take any drugs before or during shooting, as this not only constitutes criminal disregard for your safety and that of others, but will seriously impair your judgment and vision. Never use a gun while you are taking medication unless you have checked with your doctor to ensure your fitness to handle the gun safely.
29. Always wear and encourage others near you to wear proper ear protection when shooting, especially on a range since the noise from your gun, and other guns close to you, could result in permanent hearing loss.
30. Always wear protective shooting glasses to protect your eyes from injury by gun powder, gas, lubricant, dirt or metallic particles, carbon residue, sparks or other debris.
31. Wash hands thoroughly after shooting and handling firearms to remove any unwanted residues.
32. NEVER leave the loaded firearm or the loaded magazine in the sun
33. By replica firearms there is no modern safety. In this case you must pay even more attention to safety rules.

REMEMBER: No mechanical safety device is infallible.

The user is responsible for injuries or damages caused to him or to other persons.

COMPLETE KNOWLEDGE OF YOUR FIREARM CAN MAKE THE DIFFERENCE.

MODEL RANGE

MODEL	CODE	CAL ER	Barrel length		Total length		Grooves		Weight		Shots
			IN	CM	IN	CM	IN	KG	.BS		
Chiappa LA322 WOOD	920.351	22	18.5	47	35,5	90	6	1 X 16"	2,6	5.7	15
Chiappa LA322 DELUXE	920.365	22	18.5	47	35,5	90	6	1 X 16"	2,6	5.7	15

IDENTIFYING MARKINGS

Every gun we produce has a serial number that is marked on the receiver/frame. Close to the serial number you will also find the manufacturers information with the model name and caliber marked either on the frame or the slide as required by law.

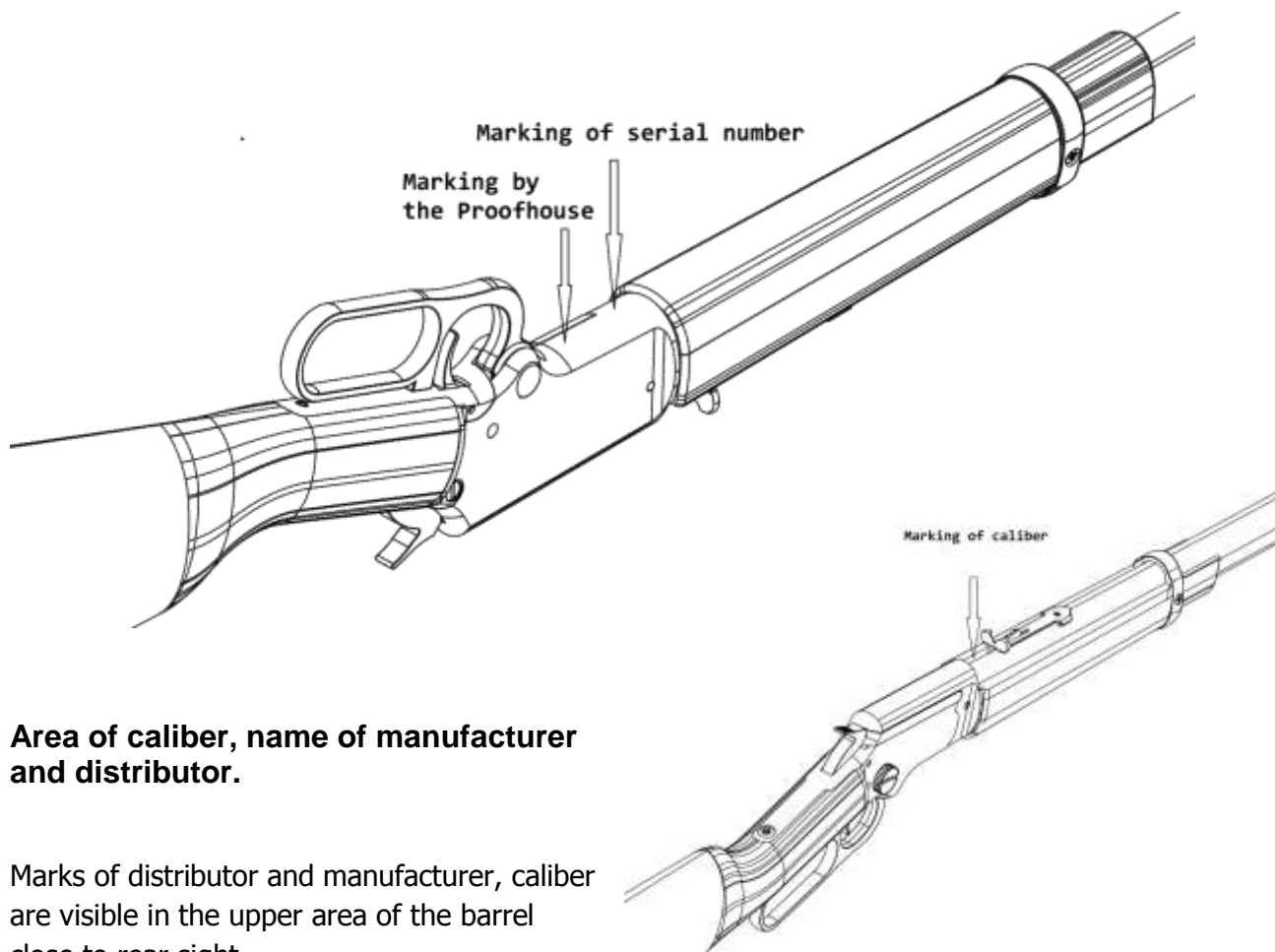
These markings must not be removed from the firearm for any reason.

Area where serial number is marked under the receiver

The serial number of the gun is visible under the receiver. It must not be removed or modified for any reason.

Area marked by National Proof House

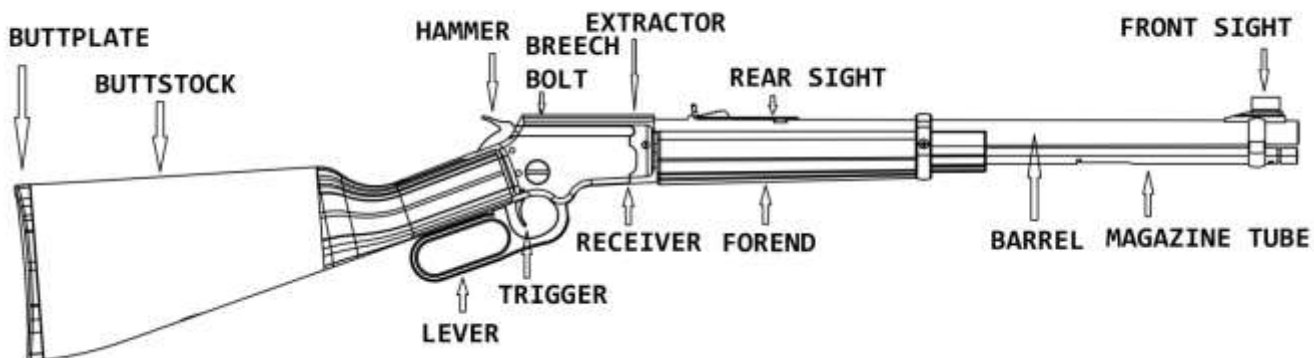
Homologation marks of National Proof House are visible under the receiver near the lever.



Area of caliber, name of manufacturer and distributor.

Marks of distributor and manufacturer, caliber are visible in the upper area of the barrel close to rear sight.

Lever Action main parts nomenclature



AMMUNITION

Please allow 100-150 rounds for initial “Break-In” period

NOTICE

WE SPECIFICALLY DISCLAIM RESPONSIBILITY FOR ANY DAMAGE OR INJURY WHATSOEVER OCCURRING IN CONNECTION WITH, OR AS THE RESULT OF, THE USE OF FAULTY, OR NONSTANDARD, OR “REMANUFACTURED” OR HANDLOADED (RELOADED) AMMUNITION, OR OF CARTRIDGES OTHER THAN THOSE FOR WHICH THE FIREARM WAS ORIGINALLY CHAMBERED.

- Death, serious injury, and damage can result from the use of wrong ammunition, bore obstructions, powder overloads, or incorrect cartridge components.
- Use only ammunition specifically recommended for your firearm (the caliber is specified on the barrel/cylinder/frame).
- Always use cartridges whose length is equal or inferior to that indicated on the barrel.
- Use only high quality, original factory manufactured ammunition whose pressure cannot be higher than the one stated by S.A.A.M.I. or C.I.P.
- Your gun has been designed for ammunition of a specific caliber – do not alter the barrel, chamber, caliber for which your gun was designed.
- Be sure you never mix ammunition.
- Firearms may be severely damaged, and serious injury to the shooter or others may result from any condition causing excessive pressure inside the chamber or barrel during firing. Excessive pressure can be caused by obstruction in the barrel, propellant powder overloads, or by the use of incorrect or defectively assembled cartridges. In addition, the use of a dirty, corroded or damaged cartridge can lead to a burst cartridge case and consequent damage to the firearm and personal injury from the sudden escape of high-pressure propellant gas within the firearm's mechanism.

Immediately stop shooting and check the barrel for a possible obstruction whenever:

- You have difficulty in, or feel unusual resistance in chambering a cartridge
- A cartridge misfires (does not go off)
- The mechanism fails to extract a fired cartridge case
- Unburned grains of propellant powder are discovered spilled in the mechanism
- A shot sounds weak or abnormal

In such cases it is possible that a bullet is lodged part way down the barrel. Firing a subsequent bullet into the obstructed barrel can damage the firearm and cause serious injury to the shooter or bystanders.

Bullets can become lodged in the barrel:

- If the cartridge has been improperly loaded without propellant powder, or if the powder fails to ignite. Ignition of the cartridge primer alone will push the bullet out of the cartridge case, but usually does not generate sufficient energy to expel the bullet completely from the barrel.
- If the bullet is not properly seated tightly in the cartridge case. When such a cartridge is extracted from the chamber without being fired, the bullet may be left behind in the bore at the point where the rifling begins. Subsequent chambering of another cartridge may push the first bullet further into the bore.
- If there is any reason to suspect that a bullet is obstructing the barrel, immediately unload the firearm and look through the bore. It is not sufficient to merely look in the chamber. A bullet may be lodged some distance down the barrel where it cannot easily be seen. If a

bullet is in the bore, do not attempt to shoot it out by using another cartridge, or by blowing it out with a blank or one from which the bullet has been removed. Such techniques can generate excessive pressure, damage the firearm and cause serious personal injury. If the bullet can be easily removed with a wood or brass dowel, (using hand pressure only, never "hammer" a bullet lodged in the bore) clean any unburned powder grains from the bore, chamber and mechanism before resuming shooting. If the bullet cannot be dislodged by tapping it with a cleaning rod, take the firearm to a gunsmith.

- Dirt, corrosion, or other foreign matter on a cartridge can impede complete chambering and may cause the cartridge case to burst upon firing. The same is true of cartridges which are damaged or deformed.
- Don't oil cartridges, and be sure to wipe the chamber clean of any oil preservative before commencing to shoot. Oil interferes with the friction between cartridge case and chamber wall that is necessary for safe functioning, and subjects the firearm to stress similar to that imposed by excessive pressure.
- Use lubricants liberally on the moving parts of your firearm. Avoid excessive spraying of any aerosol gun care product, especially where it may get on ammunition. All lubricants, and aerosol spray lubricants in particular, can penetrate cartridge primers and cause misfires. Some highly penetrative lubricants can also migrate inside cartridge cases and cause deterioration of the propellant powder; on firing, the powder may not ignite. If only the primer ignites, there is a danger that the bullet may become lodged in the barrel.

The use of reloaded or improper ammunition voids the warranty.

SAFETY FEATURES

NEVER ASSUME THE GUN IS UNLOADED. You can never be sure a gun is unloaded unless you check that the charger is not in place/ the cartridge chamber / magazine tube / cylinder is completely empty.

Never rely solely on mechanical features alone - always be extremely careful, use safe gun handling practices, and avoid situations which could lead to an accident.

This firearm is equipped with several safety features which, if properly employed, can minimize the danger of accidental discharge.

AUTOMATIC TRIGGER SAFETY

When the hammer is not cocked, the trigger is automatically blocked.

INSTRUCTIONS FOR USE

Firmly shoulder your gun before firing, hold the forend, having the buttplate well against your shoulder to reduce recoil.

Chamber the cartridge swinging the lever, then close it completely. During this action, the shell will go from the magazine tube through the receiver and up in the barrel chamber.

Take aim and when on target, squeeze the trigger.

Now to extract the empty shell from the chamber, open the lever briskly. The extractor will eject the shell that will be thrown out of the gate on the right side.

After the shell is ejected, a new cartridge is coming into the receiver and when the lever is closed the loading cycle is completed.

During this phase strictly follow the recommendations shown in the "Warning" paragraph concerning the safety aspects for you and bystanders.

LOADING

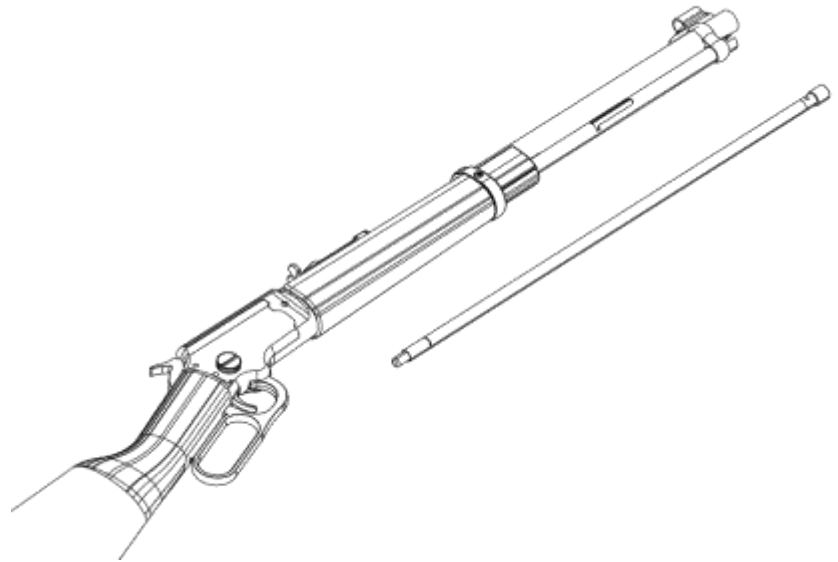
Warning: Keep muzzle pointed in safe direction and follow all safety procedures at all times. Practice these steps with an unloaded gun or dummy ammo until you are completely familiar and comfortable with the procedures. Use live ammo only when you are prepared to shoot. Always use clean, dry, high quality ammunition (of the proper caliber) that meets industry performance standards.

First check the caliber of the ammunition to be the same as indicated on the barrel.

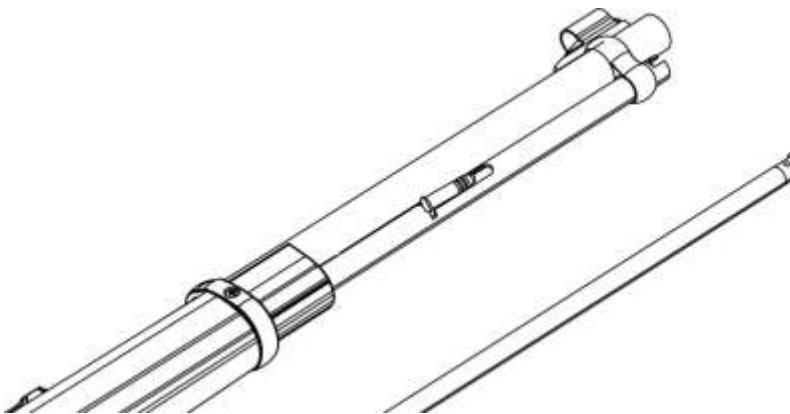
Failure to follow this instruction can result in severe damage to your gun and possible serious injury to yourself or others.

Remove the rod closing the magazine tube (bayonet-type locking).

The hammer must not be



cocked. With your thumb pull the hammer slowly down while pulling the trigger.

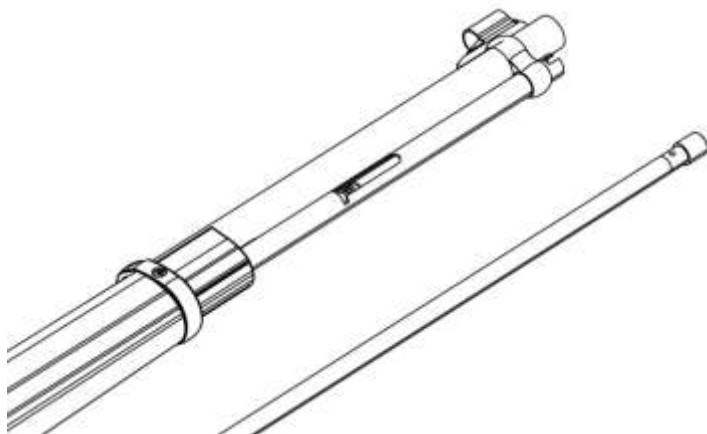


With the muzzle pointed in a safe direction and slightly upwards, insert the cartridge into the gate with the tip pointing towards the muzzle, and let it fall by gravity on the bottom of the loading magazine.

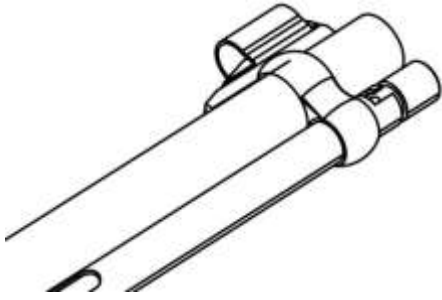
One after the other, load in the

same way a total of 15 rounds.

Do not exceed the recommended capacity of the magazine.



Reassemble the closing rod, push it down firmly and lock it with its bayonet lock system.

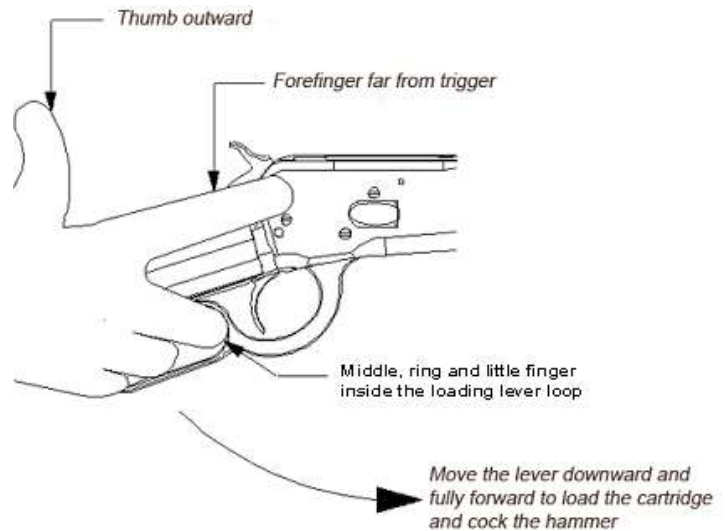


Finger position when levering

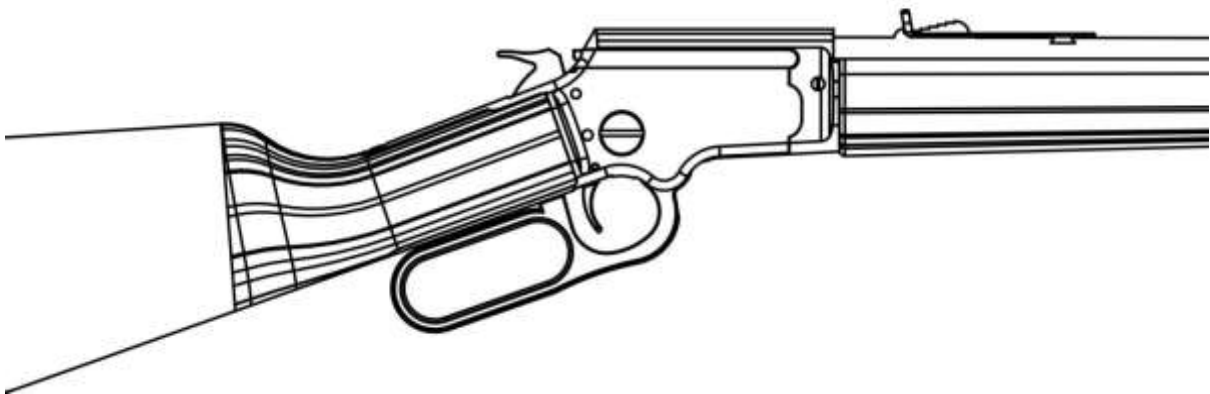
Put the fingers (we suggest middle, ring and little fingers) in the loading lever loop. **IMPORTANT:** the forefinger must be always kept out of the triggerguard and away from the trigger not to risk an accidental discharge.

The thumb should be kept outward far
Close the lever also with firm and smooth action.

During this phase, the breech bolt has cocked the hammer.



Hammer in safety position



Hammer in safety position is strictly recommended when firing is not imminent and cartridge is chambered.

Hammer is at full cocked position when the action is cycled using the lever, now you can put in safety position. Place your thumb on the hammer and firmly hold it. While holding the hammer back, apply just enough pressure on the trigger to release it and gently lower the hammer. When the hammer is resting on the firing pin pull it slightly rearward until you hear the half cock click. This is the original safety position, if you pull the trigger, the hammer will not be released. To start shooting you have to pull the hammer back to the full cock position. Now you're ready to shoot.

Rear sight adjustment

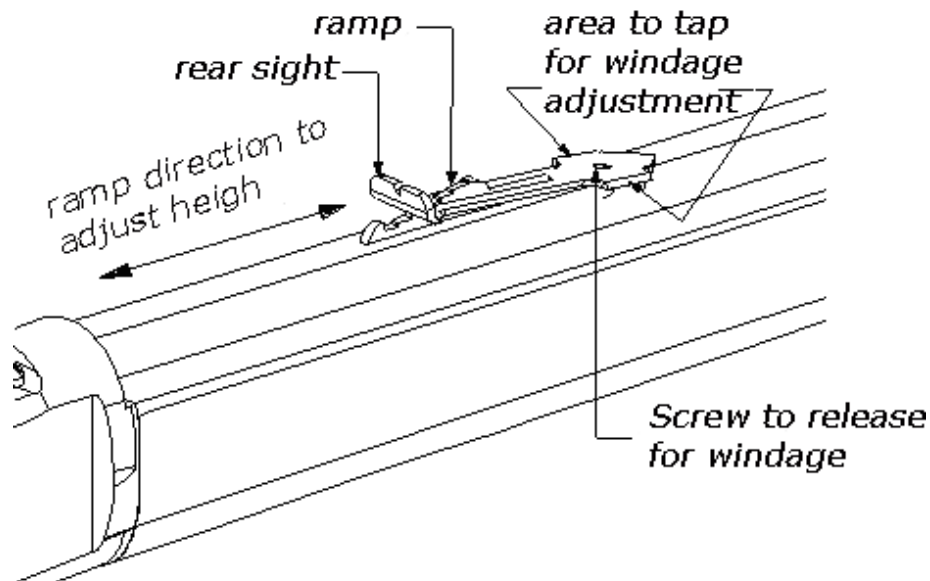
The rear sight is manually adjustable to shoot higher or lower by moving the rear sight ramp by one or more notches.

This adjustment will allow the rear sight to be adjusted lower or higher.

It's possible to adjust the rear sight for windage by following these steps:

loosen the screw on the upper front side of the sight.

Take a non-marking brass, plastic or fiber hammer and gently tap the rear sight base to the left or to the right according to the direction you wish to move the point of aim. Tighten the screw again.

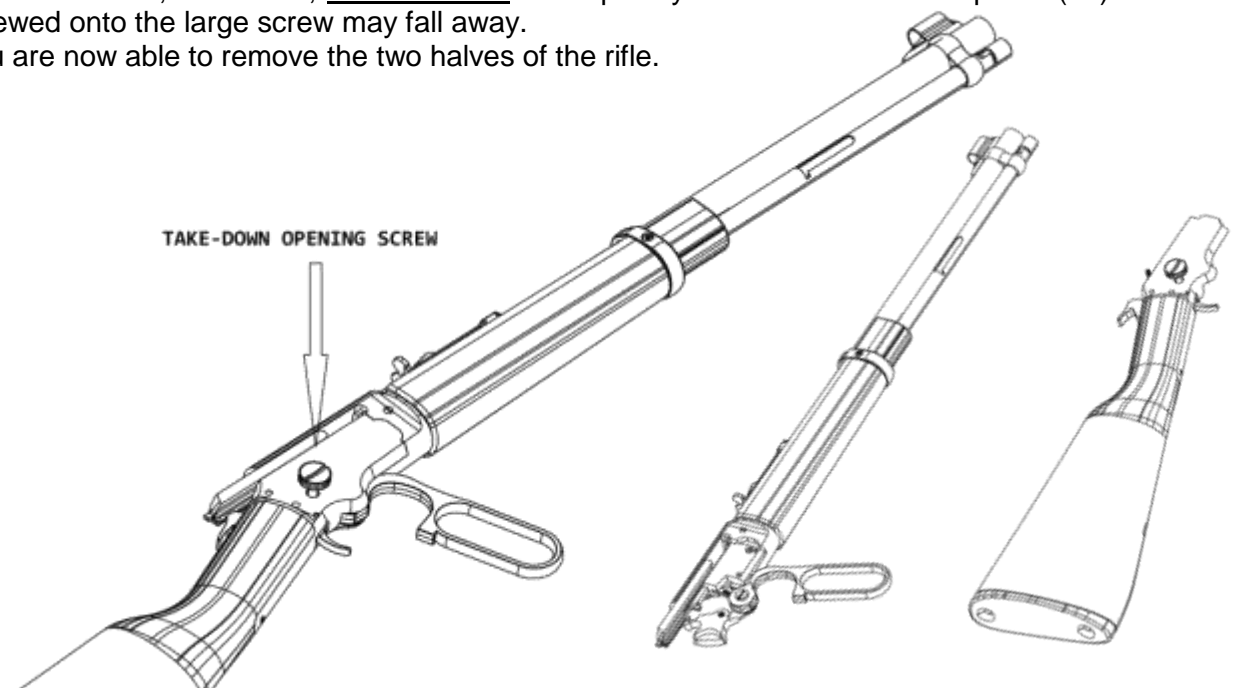


Take Down disassembly

Model LA322 can be disassembled in two parts, for easy and convenient carriage.

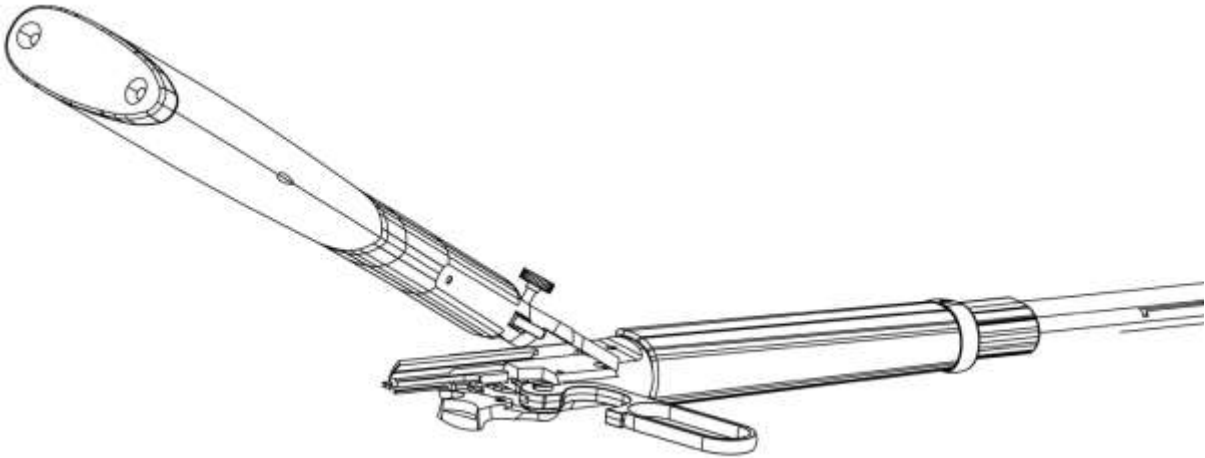
With the lever completely open, unscrew the large screw (7) placed centrally on the right side of the receiver but, be careful, don't unscrew it completely otherwise the inner spacer (57) that is screwed onto the large screw may fall away.

You are now able to remove the two halves of the rifle.



Take Down re-assembly

Be sure to engage the tooth of the two parts of the receiver so that they match, lower the top receiver until it touches the bottom. Now tighten the locking screw.



ORDINARY & EXTRAORDINARY MAINTENANCE

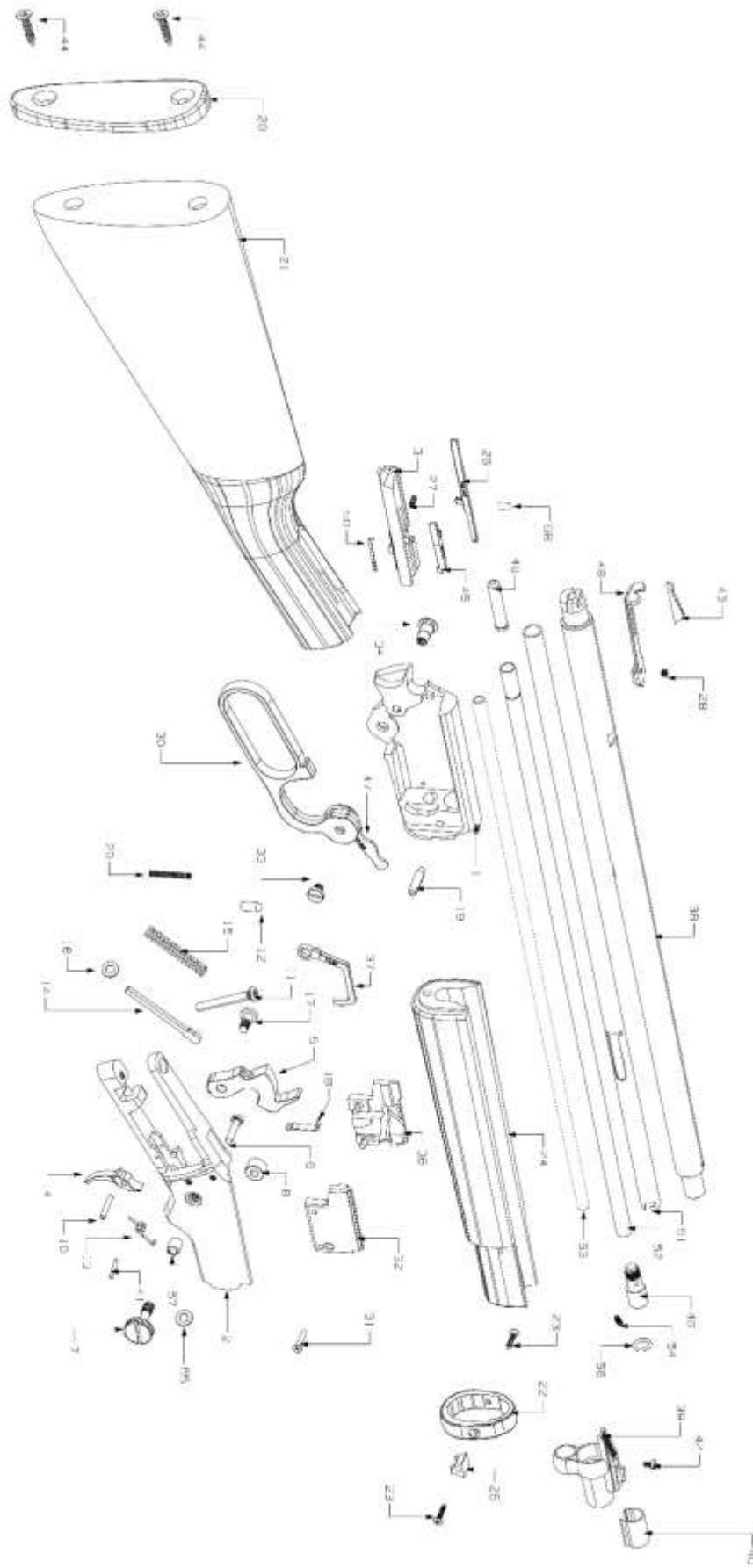
- Before performing any sort of maintenance, make sure the firearm is unloaded.
- By “ordinary maintenance” we refer to measures the user should take to keep the gun in good working conditions.
- An “Extraordinary maintenance” implies the replacement of broken parts and therefore disassembling the gun. In this case only authorized personnel or a qualified gunsmith should handle the task.
- Also a long period of heavy use or inactivity requires an extraordinary maintenance; your gun should be taken to a qualified gunsmith to have the action disassembled for professional cleaning and lubrication.
- Your gunsmith will advise the best lubricant for the good maintenance of your gun.
- Do not leave oil residues when cleaning and lubricating your firearm.
- Make sure that the mechanism of the weapon is easy; if it starts to stiffen, or if corrosion is starting on some essential parts, you should bring your gun to competent, professional personnel.
- Do not use pure silicon or lanolin.
- In the following pages you will find exploded views with a list of all parts. When ordering parts, it's important to specify date of purchase, serial number, model, caliber and item reference of the part/s needed.
- If the gun has a problem that you cannot fix, **DO NOT FIRE**, send it to an authorized center for a check-up. If you try to fix it personally, you may put in serious danger yourself and the people near you. Always pay great attention and handle the gun very carefully, in order to avoid terrible accidents which may change your life and that of others.

• **Warning: Always use a cleaning rod from the chamber end of the barrel.**

TROUBLESHOOTING TIPS

The shell does not go out of the magazine tube	The magazine tube is not completely locked.	Lock the magazine tube properly
	Magazine tube spring jamming	Slightly hit the magazine tube to disengage it
	Foreign body inside the tube	Disassemble the tube, clean it from residual of powder or other foreign matter.
The rifle doesn't shoot	Wrong caliber	Check the caliber on the barrel and use the correct ammunition
	Defective primer in the cartridge	Manually remove the unexploded cartridge
	Lever not correctly closed	Firmly close the lever
	Weak hammer hit	Increase main spring tension with the regulating screw.
The empty shell is not ejected	The extractor is broken	Change the extractor
	Shell deformed and stuck	If caliber is correct but the shell is stuck because deformed, the chamber could be damaged. It is necessary to bring the gun to a qualified gunsmith to verify the integrity of the barrel
	The ejector is broken	The ejector must be changed, it is advisable that a qualified gunsmith performs this complex work
Fail to Fire (DNF)	Ammunition with rim out of tolerance	Change type or brand of ammunition
	Weak hammer spring	Contact our service center
	Firing pin damaged or broken	Contact our service center to obtain a new firing pin
	Dirty chamber	Clean cartridge chamber with cleaning brush
Ammunition does not chamber	Incorrect Ammunition	Check the ammunition and change type if necessary
	Chamber obstruction	Clean the chamber thoroughly

EXPLODED VIEW MODEL LA322



PARTS LIST MODEL LA322

REF.	CODE	DESCRIPTION	REF.	CODE	DESCRIPTION
1	740.485	Left receiver LA 322	30	740.489	Action Lever LA 322
2	740.486	Right receiver LA 322	31	103.027	Socket screw M3x16
3	770.655	Bolt LA 322	32	740.488	Right slider LA 322
4	770.632	Trigger LA 322	33	731.105	Action Lever Screw LA 322
5	770.631	Hammer LA 322	34	731.106	Action Lever Bushing LA322
6	O98.602	Magazine tube assembly, LA 322	36	740.487	Left slider LA 322
7	731.102	Disassembly Screw LA 322	37	770.633	Follower Lever LA 322
8	731.104	Hammer Spacer LA 322	38	710.386	Barrel LA 322
9	103.026	Slotted roundhead screw, M4x18	39	740.490	Front sight LA 322
10	130.013	PIN 3x19,8	40	760.189	Tunnel Front sight LA322
11	103.029	Socket roundhead phillips screw M5x40	41	130.027	Roller 2x13,8
12	731.107	Follower follower LA 322	42	103.002	Cylindrical slotted M3X5 screw
13	721.193	Trigger spring LA322	43	770.237	Rear sight leaf
14	760.154	M1 - Hammer spring guide rod	44	120.016	Screw 5x25 black
15	720.126	Spiral spring 7x42.8x1.2	45	770.627	Extractor LA 322
16	731.195	Washer Hammer LA322	46	731.130	Loading magazine tip LA322
17	731.103	Hammer Screw LA322	47	770.629	Action Lever Arm LA 322
18	721.192	Spring Action Lever LA 322	48	770.437	Sharps Buckhorn rear sight - long
19	731.108	Pin grub screw LA322	49	731.131	Loading magazine plug LA322
20	270.073	Stock plate LA 322	50	760.193	Ejection spring LA 322
21	780.187	Stock Carbine LA322	51	731.132	Loading tube LA322
22	740.491	Forend Ring LA322	52	731.129	Loading magazine LA322
23	120.003	Autothreading phillips screw 2,9x16 oval	53	720.148	Spiral spring 6.85x0.45x550
24	780.188	Forend Carbine LA322	54	104.013	SCREW M3x8, ALLEN KEY HEAD
25	740.492	Forend Tenon LA 322	55	140.027	Notched washer d.6
26	760.187	Firing pin LA 322	56	160.001	O-RING 1,78x7,6
27	720.146	Coiled spring 2,9x8,5x0,6 - 9 coils	57	731.179	Spacer Receiver LA 322
28	104.008	Slotted set screw M4X3 flat point	58	130.057	PIN 3X6
29	720.031	Spiral spring 3,4x25x0,4			

WARRANTY CONDITIONS

The manufacturer guarantees that our products are scrupulously checked against defects in materials, workmanship and aesthetical and functioning problems.

In case you find a defect in one of our products, you should immediately contact the DEALER/SHOP/GUNSMITH where you have bought your gun. The seller will indicate the conditions for the repair, which will be either made directly by them or through our assistance.

WARNING: end users are not allowed to ship any gun directly to the manufacturer for repair, either under guarantee or against payment. Transportation of weapons is strictly regulated and the documents which are required can solely be issued by companies with specific authorization.

The manufacturer guarantees, for a year after the purchase date, the free substitution of parts for defects which have been found out during use: wear of parts which shouldn't be subject to wear, or excessive wear of parts subject to wear. **The customer will have to give evidence of the purchase date with a bill or other valid proof.**

In case the defect under cover of guarantee is not repairable, The manufacturer will provide for a free substitution of the weapon.

THE MANUFACTURER RESERVES THE RIGHT OF DEFINING THE TYPE OF DEFECT OF THE FIREARM, AND THEREFORE TO STATE WHETHER THE DEFECT IS COVERED BY GUARANTEE. The manufacturer's decision will be fair but final.

The manufacturer will be allowed a timing of 60 days for repair under guarantee, and 180 days for free substitution.

The guarantee does not cover parts subject to wear and corrosion

ATTENTION: delivery expenses to and from the service center are not covered by the guarantee and will be charged to the customer.

This gun has been manufactured according to the regulations of Italian laws and the Italian Proof House. If exported outside Italy, the importer/distributor will be responsible to ensure that the gun complies with the local legal requirements.

THE GUARANTEE IS VOID IN CASE:

- Inadequate ammunition has been used (any ammunition but those commonly on sale, reloaded ammunition, different from caliber and specification indicated on the firearm barrel)
- The firearm failed to be provided proper maintenance and cleaning
- The firearm has been modified without our prior consent
- Unauthorized, inadequate or incorrect repairs have been carried out
- Non original spare parts were used
- Parts subject to wear and corrosion
- Damage (improper use of the gun by the user)
- Expired guarantee

In the above cases the repair, if carried out, will be charged to the customer

In case, for any valid reason, you do not have the possibility to obtain repair under guarantee at the shop where you bought the firearm, you may contact us directly; we will indicate a local dealer to support you with the repair file:

USA - Phone: +1-937-835-5000

e-mail: info@chiappafirearms.com

CANADA (Murray Charlton) – Phone +1-778.426.3884

e-mail: murray.mdcent@gmail.com

REST OF THE WORLD - Phone: +39/030/9749065

e-mail: info@chiappafirearms.com

**This instruction manual must always follow the firearm,
also in case of change of ownership**

Procedure for the use of warranty

If you have any questions, please contact the service department, at the numbers indicated above; in case you need to return the firearm for repair, please follow the instructions below:

REGISTER your firearm in our website: <http://www.chiappafirearms.com/registration>

CONTACT the gunshop where the product was bought, or the Chiappa Firearms facility for USA, Canada or Rest of the World as indicated above. You will receive a RETURN TICKET number and the shipping instructions to return the gun.

FILL IN the attached form, which will accompany the return firearm. Don't forget to include the RMA number, a description of the defect and a copy of the proof of the purchase indicating the purchase date.

SHIP the weapon to the gun shop (or to the service center) in its original packing, but first

- a) Make absolutely certain it is unloaded;
- b) Do not send ammunition with your shotgun;
- c) Remove any accessories;
- d) Please package the gun securely (be certain gun parts cannot shift during shipment) in a suitable shipping container – possibly in the original box;
- e) Include the attached form duly filling all fields, with a clear description of the problem and service you wish us to perform;
- f) Please give us a clear ship-to address, (no P.O. Box numbers) your daytime phone number and if possible a fax number and email address;
- g) Please attach a copy of the purchase proof and place your correspondence inside the package

WARNING: the returned firearm must be protected with adequate packaging; any damages occurred during transportation and handling will be the customer's responsibility

REPAIR UNDER GUARANTEE

RMA Number _____

Please write in the above box the RETURN MARCHANDISE NUMBER

1. Customer data:

- Name: _____
- Address : _____
- Town : _____
- ZIP Code : _____
- Phone : _____ Available from ____ to ____
- Fax : _____
- Email address: _____

2. Product information:

- Model : _____
- Serial number : _____

3. Gun Shop - dealer:

- Purchase date : _____
- Dealer name : _____
- Dealer address: _____

4. Description of defect:

Documents to attach: Proof of purchase with date



www.chiappafirearms.com

Brescia, Italy   Dayton, OH

Via Milano, 2 • 25020 Azzano Mella • Brescia, Italy • +39.030.97.49.065

1415 Stanley Ave • Dayton, OH • USA • +1.937.835.5000

info@chiappafirearms.com